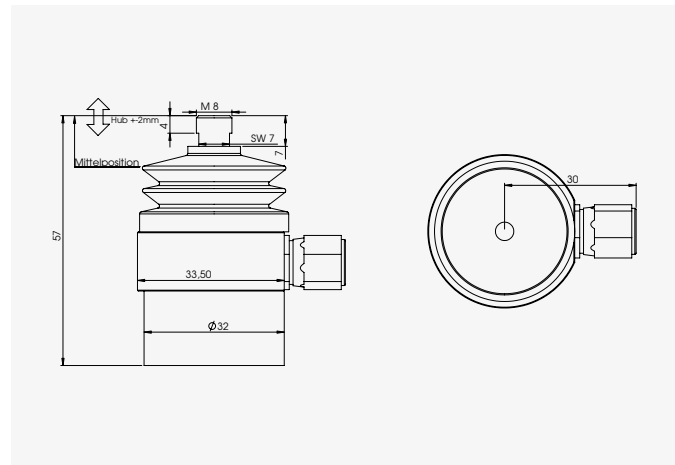


Inductive vibration sensor ATEX



Our ATEX approved motion sensor converts mechanical vibrations into electrical signals. This signal can be used for example in a jogging unit to control the mechanical vibration frequency and amplitude. The ATEX certified sensor complies with II 2D Ex mb IIIC and has therefore been especially developed for dusty atmospheres. The sensor, as a separate armature/coil unit, forms an excellent platform for customer-specific adaptations.

Electrical data

operating voltage:	Operation as a generator
power output:	max. 1.5 W
resistance (Ohm, 20°C):	1500 +/- 10 %
duty cycle:	100 %
quenching circuit:	none
cable entry:	Cable gland Ex „Dust“
electrical connection:	Cable 3 m Ex „Dust“

Environmental conditions

temperature

medium:	Dust zone 21/22
environment:	0 to +50 °C
protection type (DIN 40050):	IP 67

Explosion protection data

ex-labelling designation:	Ex II 2D Ex mb IIIC IP65 T135°C Db
---------------------------	---------------------------------------